

# OGS

## LED Garage Light

### Product Description

The OGS LED Garage Light incorporates the newest LED technology to provide optimal performance with even light distribution. Its die-cast aluminum housing with hinged and removable back box and convenient knockouts allow for easy J-Box, surface mount, or pendant installations. The OGS is ideal for use in parking garages or structures, car ports, covered walkways, stairwells, work bays, and other commercial spaces.

#### Construction

- High-quality, die-cast aluminum housing with integrated heat sink
- Easy to use hinged back box allows for installation mounting to J-Boxes (standard)
- (4) ½" knockouts for conduit wiring or sensor additions
- EVA gasket for water-resistant surface mounting
- Stainless steel hardware

#### Optical System

- Four frosted polycarbonate lenses angled to produce an even light distribution
- Utilizes advanced LED technology with CCT of 3000K and 5000K
- CRI 70+

#### Electrical

- Thermally-protected, high-efficiency driver
- Operating temperature rating of -4° to 104°F (-20°C to 40°C)
- 10kA surge protection standard
- Input voltage of 120-277VAC
- Available in 45 and 85 watt
- Photocell and motion sensor options
- Driver delivers full-range dimming from 0 - 10VDC

#### Finish

- Fine-textured, UV-stabilized powder coat bronze finish

#### Mounting and installation

- Varied installation methods:
  - J-Box (hinged with mounting plate)
  - Ceiling/conduit (4 fasteners by others)
  - Pendant (½" conduit by others)
- For installations where power surge may be possible, NICOR recommends installing additional surge protection at the electrical distribution panel

#### Listings

- LM-79, LM-80 testing performed in accordance with IESNA standards.
- UL and CUL Listed for wet locations
- Meets FCC Part 15, Subpart B, Class A standards for conducted and radiated emissions
- TM-21 Reported L70(10k) life >60,000 hours
- TM-21 Projected L70(10k) life =129,000 hours

#### Warranty

- 5-year limited system warranty standard
- Warranty does not cover product failure due to an overvoltage event (power surge.)

Project \_\_\_\_\_

Catalog \_\_\_\_\_

Type \_\_\_\_\_

Date \_\_\_\_\_



## OGS LED Garage Light



## Ordering Information

Example: OGS1085MV50BZ

Series	Version	Wattage	Voltage	CCTs	Finish	Sensors
OGS	1 (Version 1)	045 (45 W)	MV (120-277)	30 (3000 K)	BZ (Bronze)	Blank (None)
		085 (85 W)		50 (5000 K)		P (Photocell)
						M (Motion Sensor)
						D (PC & MS)

Specifications and dimensions subject to change without notice.

## Performance Data

### Performance Data

Model Number	Lumens	Watts	Lumens/Watt	BUG Rating
OGS1045MV30	4394	43.9	100.0	B2-U3-G3
OGS1045MV50	4515	43.9	102.8	B2-U3-G3
OGS1085MV30	8203	83.4	98.3	B3-U4-G4
OGS1085MV50	8390	83.4	100.6	B3-U4-G4

### Recommended 0-10VDC Dimmers\*

Lutron NTSTV  
Lutron DVSTV  
Cooper SF10P  
Legrand RH4FBL3PW

\*Not a complete list. Check compatibility before installation.

## Photometric Data

### OGS45 5000K

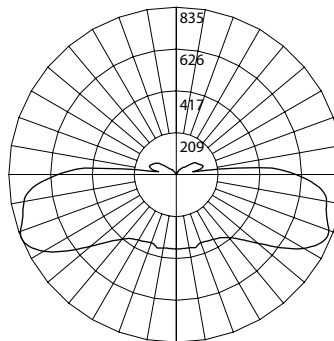
Input Voltage (VAC)	120-277
System Level Power (W)	43.9
120V Current (A)	0.37
277V Current (A)	0.16
Delivered Lumens (Lm)	4515
System Efficacy (Lm/W)	102.8
Correlated Color Temp (K)	5040
Power Factor	0.971
THD	8.15%
Color Rendering Index (CRI)	75
Beam Angle	180°
Spacing Criteria	1.89

### Intensity Summary (Candle Power)

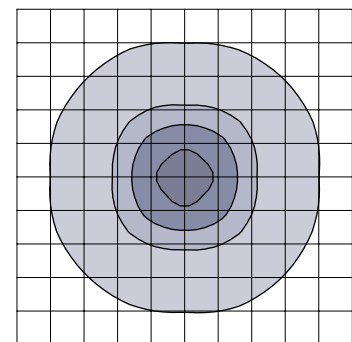
Angle	Mean CP
0	371
5	370
15	368
25	370
35	397
45	488
55	630
65	733
75	753
85	666
90	535

### CCT Data Multiplier

OGS1045MV30	0.973
-------------	-------



10' Mounting Height



Each square represents 100 square feet.

### Zonal Lumen Summary

Zone	Lumens	% of Luminaire
0-30	311	6.9%
0-40	563	12.5%
0-60	1510	33.4%
0-90	3757	83.2%
90-180	759	16.8%
0-180	4515	100.0%

# Photometric Data

## OGS85 5000K

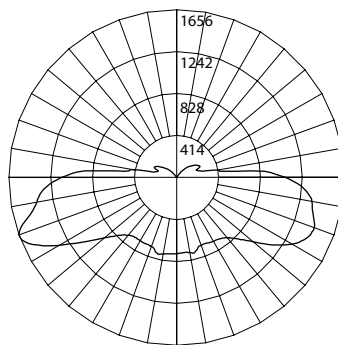
Input Voltage (VAC)	120-277
System Level Power (W)	83.4
120V Current (A)	0.70
277V Current (A)	0.31
Delivered Lumens (Lm)	8390
System Efficacy (Lm/W)	100.6
Correlated Color Temp (K)	5071
Power Factor	0.997
THD	11.48%
Color Rendering Index (CRI)	75
Beam Angle	180°
Spacing Criteria	1.57

### Intensity Summary (Candle Power)

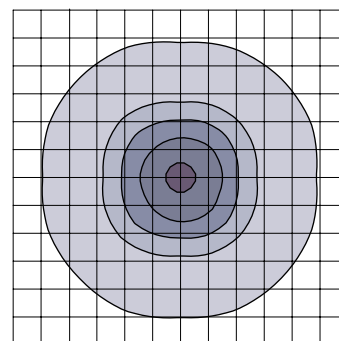
Angle	Mean CP
0	753
5	752
15	739
25	725
35	744
45	881
55	1117
65	1359
75	1370
85	1223
90	1006

### CCT Data Multiplier

OGS1085MV30	0.978
OGS1085MV40	0.993



10' Mounting Height



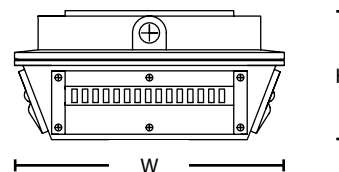
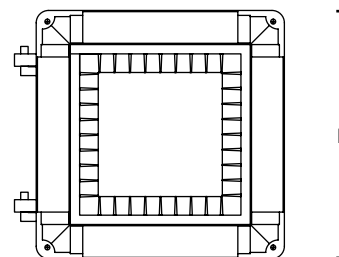
- 5fc
- 2fc
- 1fc
- 0.5fc
- 0.1fc

Each square represents 100 square feet.

### Zonal Lumen Summary

Zone	Lumens	% of Luminaire
0-30	618	7.4%
0-40	1089	13.0%
0-60	2790	33.3%
0-90	6925	82.5%
90-180	1465	17.5%
0-180	8390	100.0%

Fixture tested per LM-79-08. Photometric data is of the performance of a representative fixture. Results may vary in the field.



### 45 W

### 85 W

Fixture Length:	10 in (254 mm)	15 in (381 mm)
Fixture Width:	10 in (254 mm)	15 in (381 mm)
Fixture Height:	4.8 in (122 mm)	4.8 in (122 mm)

This device complies with part 15 of the FCC Rules. Operation is subject to the following two conditions: (1) This device may not cause harmful interference, and (2) this device must accept any interference received, including interference that may cause undesired operation.

NOTE: This equipment has been tested and found to comply with the limits for a Class A digital device, pursuant to part 15 of the FCC Rules. These limits are designed to provide reasonable protection against harmful interference when the equipment is operated in a commercial environment. This equipment generates, uses, and can radiate radio frequency energy and, if not installed and used in accordance with the instruction manual, may cause harmful interference to radio communications. Operation of this equipment in a residential area is likely to cause harmful interference in which case the user will be required to correct the interference at his own expense.